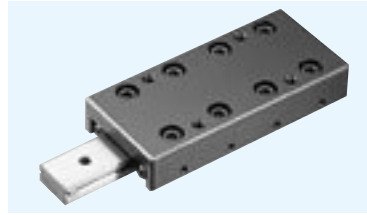
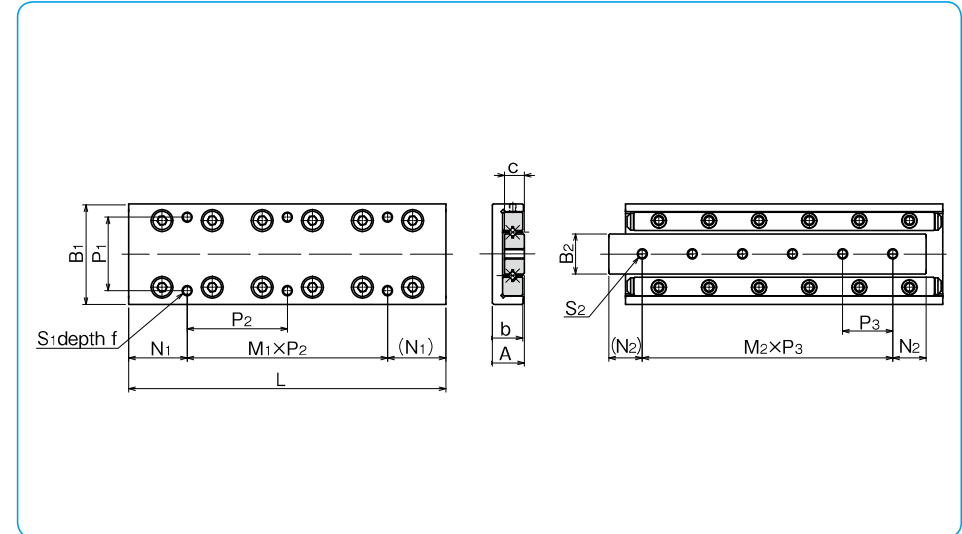
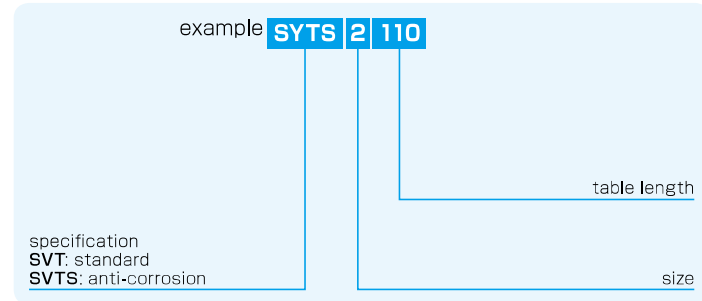


SYT TYPE

-SYT1/SYT2-



part number structure

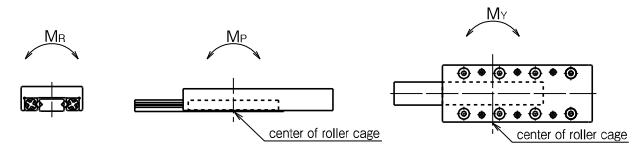


part number		stroke ST mm	major dimensions						table-top mounting hole dimensions		
standard	anti-corrosion		A mm	B ₁ mm	L mm	b mm	B ₂ mm	c mm	P ₁ mm	S ₁	f mm
SYT 1025	SYTS 1025	12	8±0.1	20±0.1	25	7.5	6.6	4	14	M2.6	3
1035	1035	18			35						
1045	1045	25			45						
1055	1055	32			55						
1065	1065	40			65						
1075	1075	45			75						
1085	1085	50			85						
SYT 2035	SYTS 2035	18	12±0.1	30±0.1	35	11.5	12	6	22	M3	5
2050	2050	30			50						
2065	2065	40			65						
2080	2080	50			80						
2095	2095	60			95						
2110	2110	70			110						
2125	2125	80			125						

N ₁ mm	M ₁ × P ₂ mm	bed-surface mounting hole dimensions		accuracy ※(deviation)		basic load rating		allowable load F N	allowable static moment			mass g	size	
		S ₂	N ₂ mm	M ₂ × P ₃ mm	T μm	S μm	C N		Co N	M _P N · m	M _Y N · m			M _R N · m
3.5	1 × 18	M2.6	5	2 × 7.5	2	4	464	476	158	1.79	1.47	1.79	22	1025
3.5	1 × 28		7.5	2 × 10	2	4	805	952	316	3.08	3.50	3.58	33	1035
12.5	1 × 20		7.5	3 × 10	2	5	959	1,190	396	6.98	6.40	4.48	42	1045
12.5	1 × 30		7.5	4 × 10	2	5	1,100	1,420	475	9.53	8.81	5.37	52	1055
12.5	2 × 20		7.5	5 × 10	2	5	1,240	1,660	554	12.4	11.6	6.27	63	1065
22.5	1 × 30		7.5	6 × 10	2	5	1,510	2,140	712	19.3	18.3	8.06	72	1075
12.5	2 × 30		7.5	7 × 10	2	5	1,650	2,380	792	23.4	22.3	8.96	83	1085
3.5	1 × 28	M3	7.5	1 × 20	2	4	1,090	1,170	390	7.04	5.78	7.63	79	2035
3.5	1 × 43		10	2 × 15	2	4	1,510	1,750	585	12.1	10.7	11.4	113	2050
17.5	1 × 30		10	3 × 15	2	5	1,900	2,340	780	19.1	17.1	15.2	150	2065
17.5	1 × 45		10	4 × 15	2	5	2,620	3,510	1,170	27.4	29.6	22.8	185	2080
17.5	2 × 30		10	5 × 15	2	5	2,950	4,100	1,360	37.4	39.9	26.7	215	2095
32.5	1 × 45		10	6 × 15	2	5	3,280	4,680	1,560	61.7	58.1	30.5	255	2110
17.5	2 × 45		10	7 × 15	2	5	3,590	5,270	1,750	76.1	72.1	34.3	295	2125

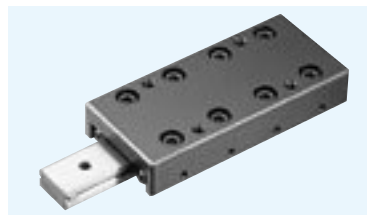
※For accuracy (T, S), refer to Figure G-18 (page G-25).

1N ≃ 0.102kgf 1N · m ≃ 0.102kgf · m



SYT TYPE

-SYT3-



part number structure

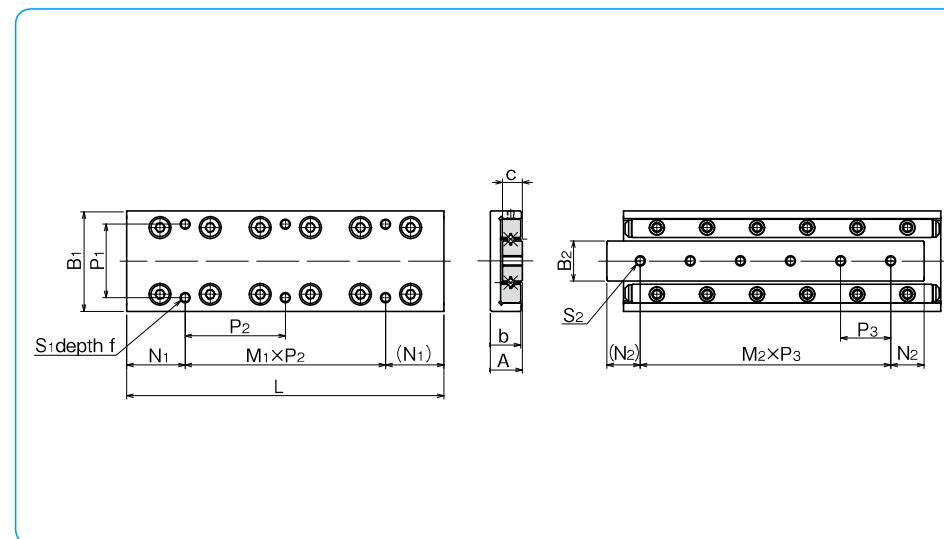
example **SYTS 3 155**

specification
SYT: standard
SYTS: anti-corrosion

table length

size

part number		stroke ST mm	major dimensions						table-top mounting hole dimensions		
standard	anti-corrosion		A mm	B ₁ mm	L mm	b mm	B ₂ mm	c mm	P ₁ mm	S ₁	f mm
SYT 3055	SYTS 3055	30	16±0.1	40±0.1	55	15.5	16	8	30	M4	7
3080	3080	45			80						
3105	3105	60			105						
3130	3130	75			130						
3155	3155	90			155						
3180	3180	105			180						
3205	3205	130			205						



N ₁ mm		M ₁ × P ₂ mm		bed-surface mounting hole dimensions		accuracy ※(deviation)		basic load rating		allowable	allowable static moment			mass	size
N ₁	M ₁ × P ₂	S ₂	N ₂	M ₂ × P ₃	T μm	S μm	dynamic C N	static Co N	load F N	M _P N · m	M _Y N · m	M _R N · m	g		
7.5	1 × 40	M4	10	1 × 35	2	5	3,490	3,890	1,290	19.4	22.2	33.8	225	3055	
7.5	1 × 65		15	2 × 25	2	5	5,230	6,490	2,160	53.0	58.0	56.4	340	3080	
27.5	1 × 50		15	3 × 25	3	5	6,030	7,790	2,590	103	95.7	67.7	440	3105	
27.5	1 × 75		15	4 × 25	3	5	7,560	10,300	3,450	170	160	90.3	560	3130	
27.5	2 × 50		15	5 × 25	3	5	9,000	12,900	4,320	210	220	112	655	3155	
52.5	1 × 75		15	6 × 25	3	5	10,300	15,500	5,180	302	314	135	770	3180	
27.5	2 × 75		15	7 × 25	3	5	11,000	16,800	5,610	355	367	146	880	3205	

※For accuracy (T, S), refer to Figure G-18 (page G-25).

1N ≃ 0.102kgf 1N · m ≃ 0.102kgf · m

