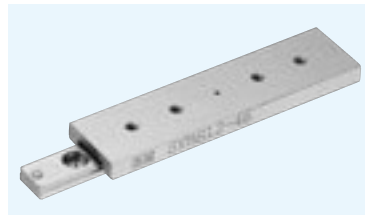
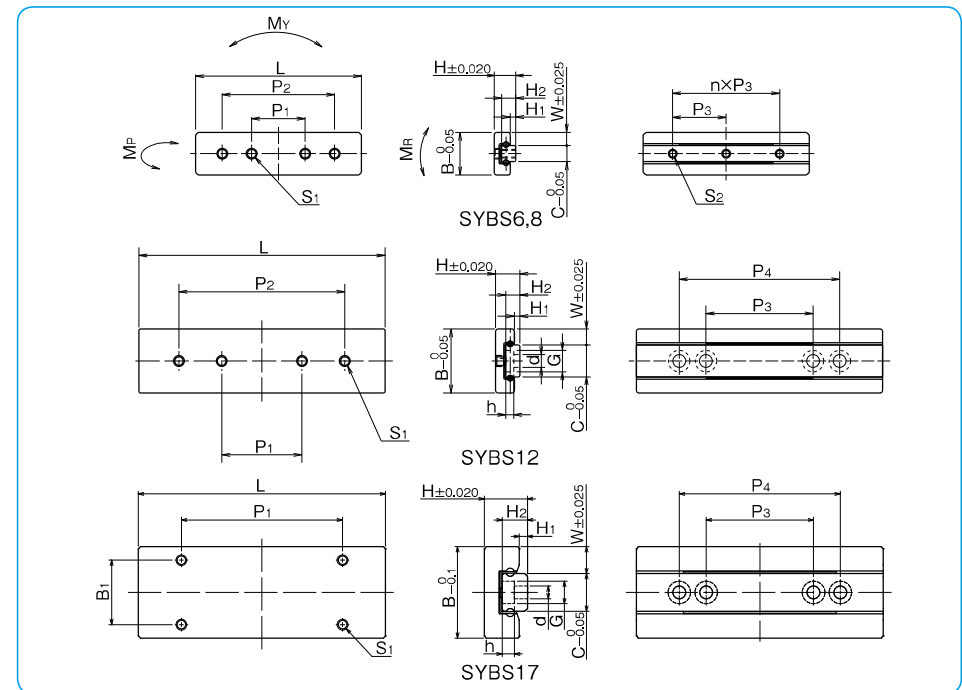
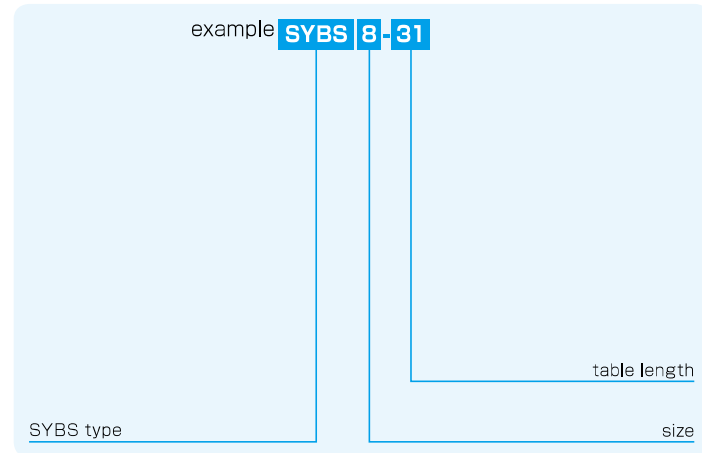


SYBS TYPE



part number structure



part number	major dimensions				tabel-top dimensions						S ₁ maximum screw penetration depth mm
	H mm	W mm	H ₁ mm	stroke mm	B mm	L mm	P ₁ mm	P ₂ mm	B ₁ mm		
SYBS 6-13	3.2	2	0.7	5	6	13	6.0	—	—	M1.4	0.5
SYBS 6-21				12		21	10.0	—	—		
SYBS 8-11	4	2.5	1	4	8	11	5.5	—	—	M2	0.7
SYBS 8-21				12		21	10.0	—	—		
SYBS 8-31				18		31	10.0	21	—		
SYBS12-23	4.5	3	1	12	12	23	8.0	—	—	M2	1.2
SYBS12-31				18		31	15.0	—	—		
SYBS12-46				28		46	15.0	31	—		
SYBS17-23				14		23	10.0	—	—		
SYBS17-31	8	5	1.5	19	17	31	20.0	—	12	M3	3
SYBS17-46				29		46	30.0	—			

※1: Custom mounting screws are provided with the SYBS-12 type only. Other screw sizes are also available. (Please refer to page G-53)

H ₂ mm	C mm	bed-surface dimensions				basic load rating			allowable static moment			mass g	size	
		d×G×h mm	S ₂ mm	P ₃ mm	n mm	P ₄ mm	dynamic C N	static C ₀ N	allowable load F N	M _P N·m	M _Y N·m			M _R N·m
2.0	2	—	M1	7	1	—	154	180	60.1	0.21	0.25	0.21	1.4	6-13
				7	2	—	229	315	105	0.57	0.69	0.37	2.2	6-21
2.6	3	—	M1.6	5	1	—	201	211	70.4	0.23	0.28	0.35	2.0	8-11
				10	1	—	368	493	164	1.02	1.22	0.83	3.7	8-21
2.6	6	※1 2.4×4×1.5	—	10	2	—	473	704	234	1.97	2.35	1.19	5.5	8-31
				15	—	—	404	563	187	1.30	1.55	1.80	7.6	12-23
				15	—	—	473	704	234	1.97	2.35	2.25	10.2	12-31
				20	—	30	658	1,120	375	4.80	5.72	3.60	15.2	12-46
4.7	7	2.4×4.2×2.3	—	15	—	—	775	888	296	2.09	2.49	3.33	19.2	17-23
				15	—	—	984	1,240	414	3.80	4.53	4.66	26.2	17-31
				20	—	30	1,350	1,950	651	8.75	10.4	7.32	38.4	17-46

1N≒0.102kgf 1N·m≒0.102kgf·m